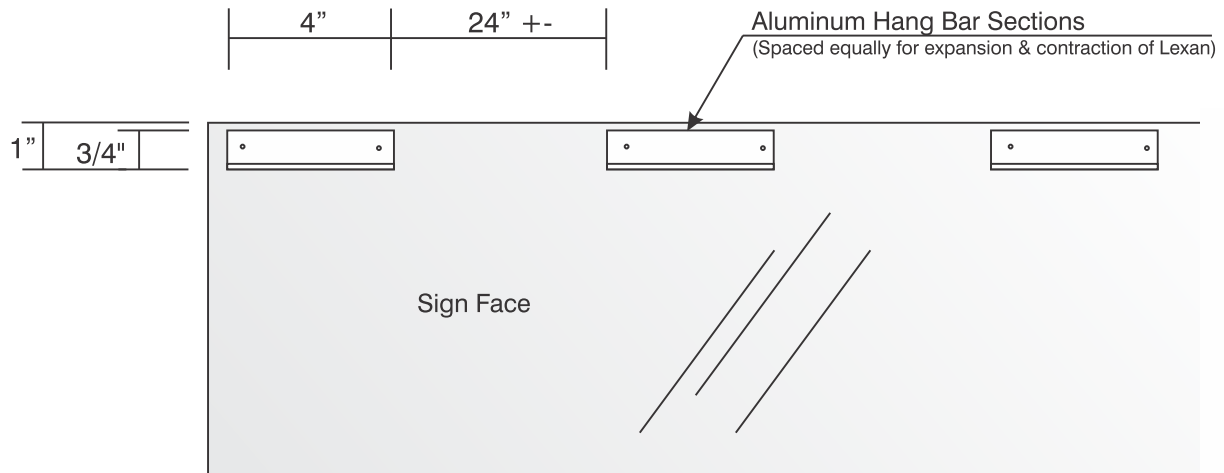
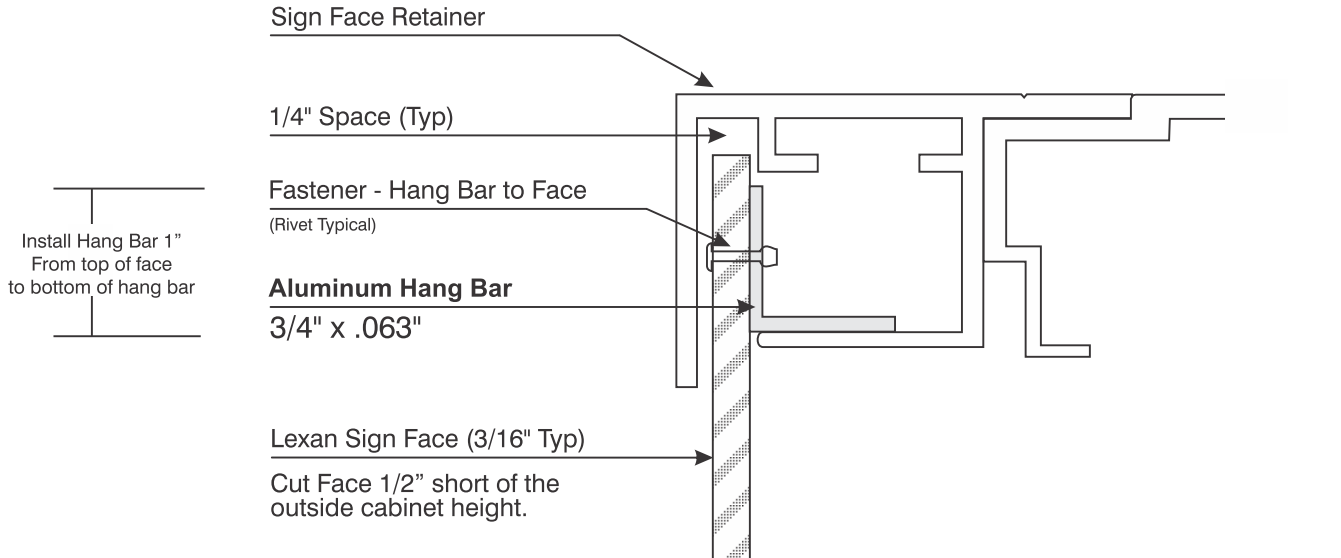


The "Hang Bar" is for larger sign faces and suspends the sign face from the top retainer. It is to minimize the sign face from bowing and sign face blow-outs due to high winds.

Typically for 4' tall and larger sign faces.

Side Detail For Systems:
SF900
DF1200
275 (Face Frame)

ACTUAL SIZE



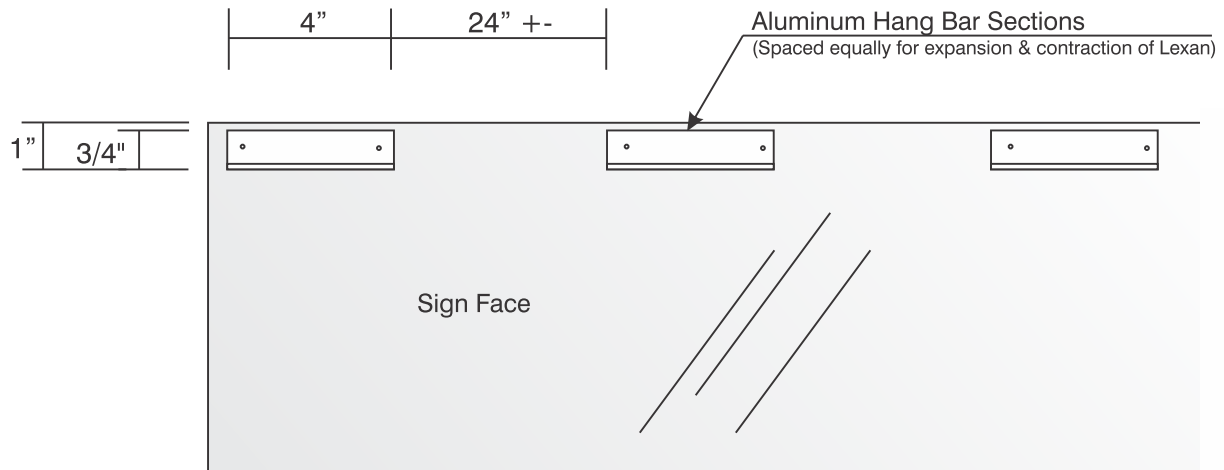
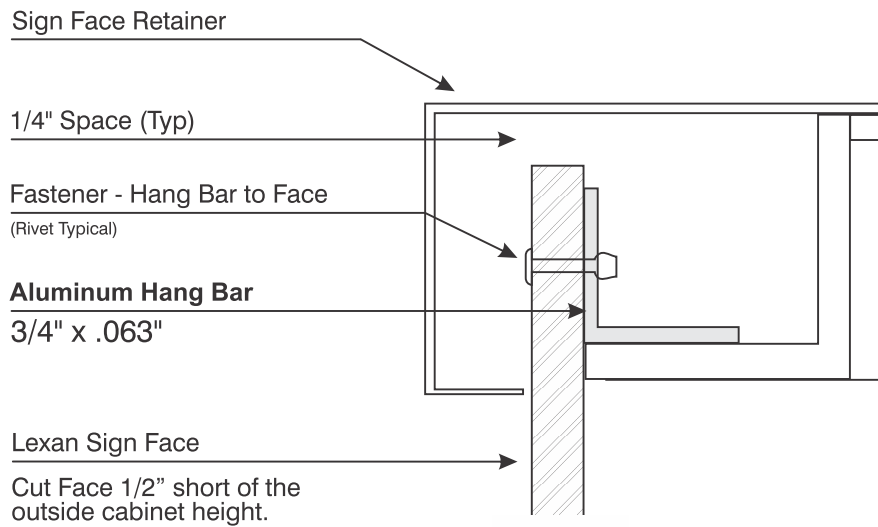
Hang Bar Detail (For Large Sign Faces)

General Spec Sheet

The "Hang Bar" is for larger sign faces and suspends the sign face from the top retainer. It is to minimize the sign face from bowing and sign face blow-outs due to high winds.

Typically for 4' tall and larger sign faces.

REAR HANG BAR



Hang Bar Detail (For Large Sign Faces)

General Spec Sheet

The "Hang Bar" is for larger sign faces and suspends the sign face from the top retainer. It is to minimize the sign face from bowing and sign face blow-outs due to high winds.

Typically for 4' tall and larger sign faces.

FRONT HANG BAR:

